



Emergency Partitions

in support of

OPERATION ALLIES REFUGE

International Program Group (IPG) a SBA Certified Hubzone Co.
DUNNS: 783 33 44 05 21700 County Road 1
CAGE CODE: 41ED8 Cedarville CA 96104

POC: Len Holzworth CEO/President
P - 949-735-1828
E - lmholzworth@ipgworld.com

IPG is supporting operation allies refuge by supplying 1,000 panels a day to one site. With full capacity, IPG can increase support to 2,000 panels per day.



- 1,000 to 2,000 panels a day - **Available Now**
- 5 manufacturing Locations: Georgia, Texas, California, TN, and Arizona
- Over 800 skilled employees
- Over 725,000 sq ft of manufacturing space
- No other panel company in the US can meet our fast delivery, quality, and output.
- Culturally in compliance for Privacy of Women and Families - projects **safety, security, and commitment.**
- Instant offices, meeting rooms, medical facility, Cafeteria, living quarters

Standard 4'x8' partition wall panels are built with a 2x4 frame covered with OSB on both sides. Cam-lock devices are used to quickly and securely lock the panels together.

Features and Benefits:

- Very easy and quick installation (even with unskilled workers)
- Panels are light enough to be safely handled by 2 people
- Only a cam-lock wrench and a few basic tools are required for installation; no special tools or equipment
- Panels are very rigid and durable; can't be kicked-in like drywall panels
- Very modular design allows for unlimited variety of room layouts
- Only 2 panel designs for most applications: standard wall panel and doorway panel
- Panels can be disassembled very quickly and stored for future use
- Panels delivered ready to install, no on-site construction underfoot.

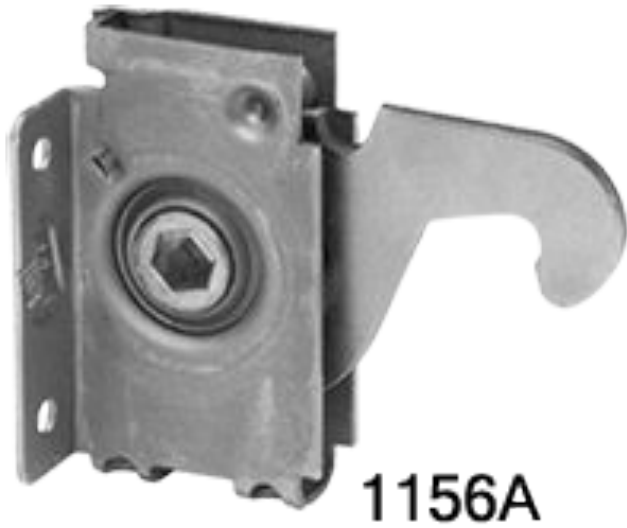
Options: €

- Various heights and widths of panels are available
- Various panels skins are available: OSB, plywood, Hardie Panel, sheet metal, fire resistant drywall, standard drywall, FRP, etc.
- Window panels, roof panels, and floor panels are available
- Panel thicknesses from 2" to 6"
- Full installation team mobilized and ready to install, other option to use your own labor with IPG trained supervisors





Quick and easy to deploy. Ready to ship today!





Thank you

POC: Len Holzworth CEO/President
M: 949-735-1828
Email: lmholzworth@ipgworld.com